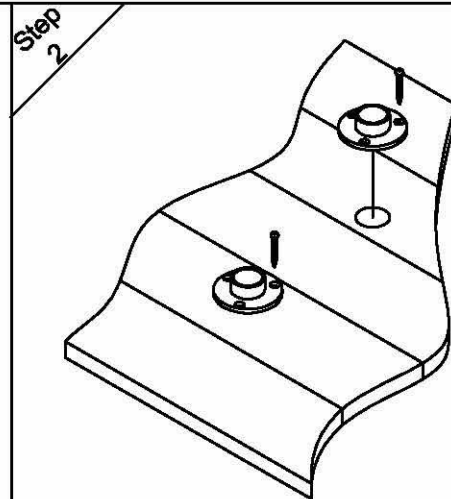
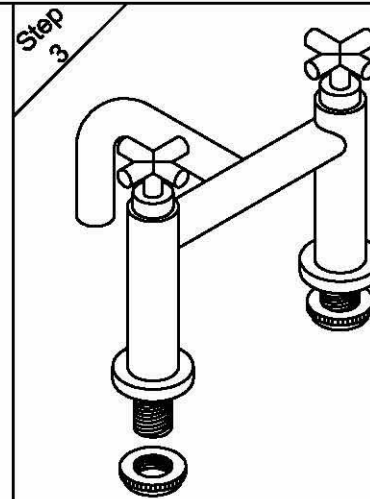


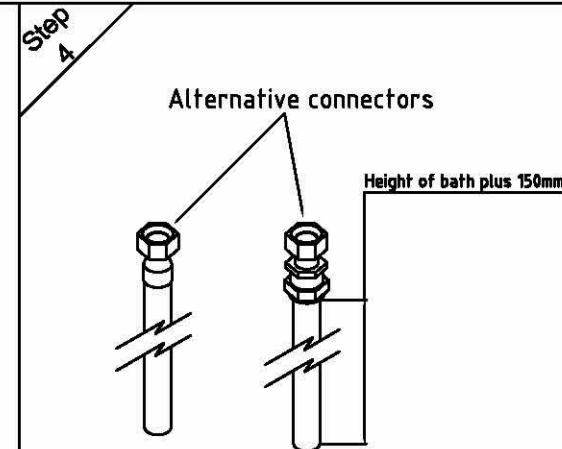
Drill two holes in floor as shown (use same dimensions if fitting taps along edge of bath)



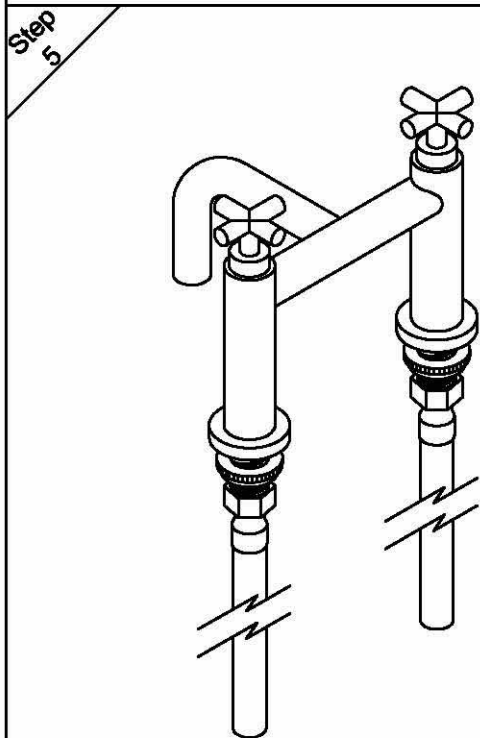
Screw pipe flanges to floor, directly above previously drilled holes.



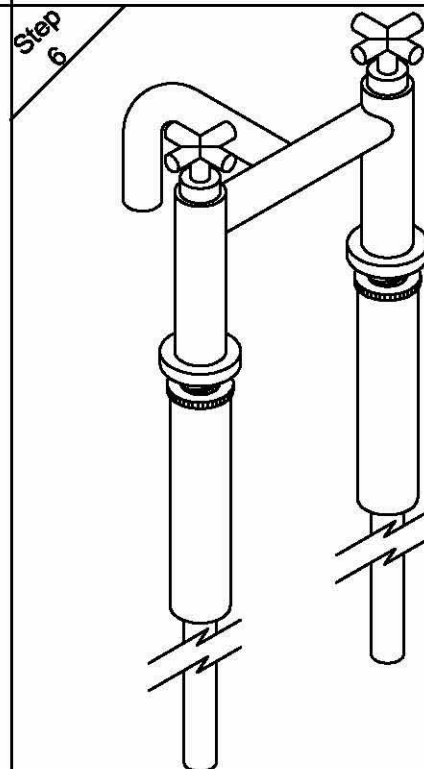
Screw the two upper flanges on to the tap tails (knurled edge uppermost)



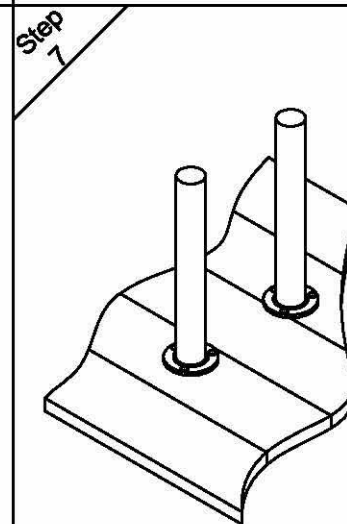
Using the end feed solder connector or the compression alternative, connect the 22mm feed pipes



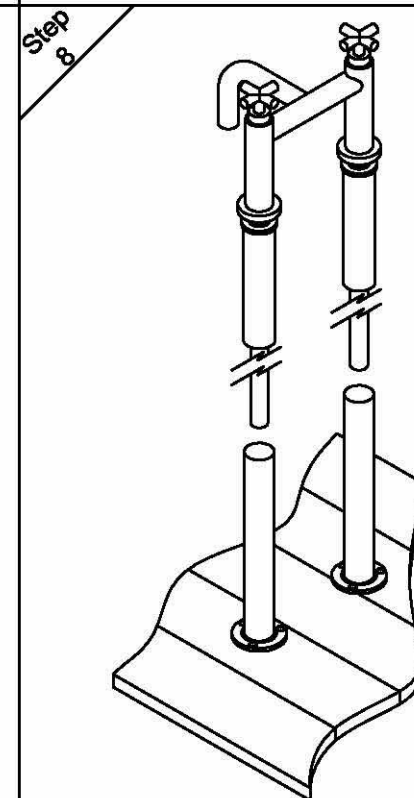
Screw the two assembled feed pipes to the tap tails, ensuring the fibre washers are in place



Screw the shorter of the tubes on to the upper flanges



Place the longer of the tubes over the pipe flanges



Place the tap/feed tube assembly over the floor tubes. The under floor pipework will determine the height of the fitting

BATH LEGS FITTING INSTRUCTIONS

